



24" SINGLE DOOR C-SERIES
Refrigerator/Chiller/Wine Reserve/Beverage Dispenser

eco friendly
 R600a Refrigerant



5 Year
 Compressor
 Warranty



FOR GENERAL REFERENCE ONLY
 Models shown may not match the
 model features or manuf year of the
 item offered by AERE.



Beverage Dispenser
(HC24RS4-T1)
*Shown with 1 faucet
 draft arm tapping option*



Refrigerator
(HC24RS4)



Chiller
(HC24FS4)



Wine Reserve
(HC24WS4)

MODEL NO.
HC24FS4
HC24RS4
HC24WS4

KEY PRODUCT FEATURES AND BENEFITS

- All stainless steel interior ensures consistent cabinet temperature and hygienic easy to clean environment that will not absorb odors over time
- Full extension, smooth glide shelving gives easy access to product and faster, more ergonomic product loading
- Ultra-quiet and energy efficient smart compressor – compressor ramps up as additional cooling is needed maximizing energy savings while decreasing pull down time
- NSF rated digital controller allows for precision temperature setting and features and audible door alarm, alerting the operator if an intrusion will not allow the door to close
- Open shelf design allows cold air to surround product reducing temperature variation in the cabinet and extending product life
- 525 BTU/hr fast pull down of product to serving temperature

Quick Features:

- All stainless steel wine shelves ensures zero off gassing or odor absorption
- Accessory wood front available to match custom overlays
- 2" foamed-in-place eco-friendly insulation provides energy savings with zero ozone depletion
- Smart defrost cycle runs only when needed, increasing energy efficiency over standard systems
- Selectable white or blue LEDs provide crisp line of sight to product
- Solid and uv-coated glass door options available in both stainless steel or black vinyl finish
 - Black vinyl door panels can easily be removed to allow a custom wood overlay to be applied
 - Custom door panels are customer supplied – see perlick.com for door overlay templates
- Multiple handle, legs, and caster options available
- Field reversible door allows for easy replacement or re-purposing
- Door lock optional
- NSF 7 rated for canned and bottle beverage storage
- No plumbing required
- 1 Year Warranty, 5 Year Compressor Warranty

Form No. Z2365_HC24
 Rev. 04.22.21



24" SINGLE DOOR C-SERIES
Refrigerator/Chiller/Wine Reserve/Beverage Dispenser

MODEL NO.		HC24RS4	HC24FS4	HC24WS4
CABINET DIMENSIONS	Length Ins. (mm)	23-7/8" (606)	23-7/8" (606)	23-7/8" (606)
	Depth Ins. (mm)	24" (610)	24" (610)	24" (610)
	Height Ins. (mm)	34" (864)	34" (864)	34" (864)
SHIP WEIGHT LBS. (KG)		185 (83)	195 (88)	205 (92)
CAPACITY CU. FT. (L.) [PRODUCT*]		5.3 (150) [5 cases]	5.3 (150) [86 glasses]	5.3 (150) [40 wine bottles]
SHELVING		2 black vinyl-coated full-extension shelf (adjustable)	2 black vinyl-coated full-extension shelf (adjustable)	5 black vinyl-coated full-extension wine shelves that hold 8 wine bottles each (750 ml.) (adjustable) Refrigerator & beverage shelving available
TEMPERATURE SETTINGS F°(C°)		34° (1.1°) - 42° (5.6°) Factory Set Point 36° (2.2°)	-10° (-23.3°) - 10° (-12.2°) Factory Set Point 0° (-17.8°)	40° (4.4°) - 68° (20°) Factory Set Point 55° (12.8°)
TAPPING		Centered over door only. Tapping option removes shelving.	Not available	Not available
CABINET CONSTRUCTION (INT.)		Interior Stainless Steel		
CABINET CONSTRUCTION (EXT.)		Exterior Sides, Exterior Top and Grill Stainless Steel Exterior Back and Exterior Bottom Galvanized Door Exterior Customer Choice (see below under 'Customer Options')		
CABINET INSULATION		Polyurethane-Ecomate. Wall Thickness-2" Door, Drawer Thickness-2" (solid stainless steel only)		
DOORS, HINGING & HARDWARE		Number of Doors 1 Opening Style Hinged (Left or Right) Door Style Solid or Glass Door Swing Clearance 25" (635) Locks Available (factory installed)		
CONDENSING UNIT		Condenser Access Front		
REFRIGERATION		Refrigerant R600a Expansion Device Capillary Tube Type w/Hermetic Compressor Defrost Chiller equipped w/automatic 4-hour hot gas defrost cycle and manual 6-hour defrost with auto restart (HC24FS model only)		
HEAT REJECTION (at 75°F ambient)		450 BTU/hr	700 BTU/hr	450 BTU/hr
PULL DOWN CAPACITY		525 BTU/hr	525 BTU/hr	525 BTU/hr
PLUMBING		None required. Moisture drains to self evaporating condensate pan		
ELECTRICAL		Electrical Supply 115V/60 Hz/1 Phase Running Load Amps HC24FS4: 2.4/HC24RS4 & HC24WS4: 1.6 Cord Connection Cord Connected (3-prong 6' NEMA 5-15P) Thermostat Digital Lighting Type LED		
VENTILATION		Front-vented		
CUSTOMER OPTIONS		Door Finishes Black Vinyl/Field Laminate (B), Stainless Steel (S), Glass w/ Black Vinyl/Field Laminate (G), Glass w/ Stainless Steel Frame (T), Stainless Steel Drawers (E), Black Vinyl/Field Laminate Drawers (D) Door Handle Options 24" full length stainless steel, Classic 6" chrome w/black vinyl grip, tab handle (top mount, stainless steel) NOTE: Glass option not available for freezer or beer dispenser		
ADDITIONAL ACCESSORIES		Casters 3.75" (Part No. 66736) Legs 4"-5" (Part No. 66734), 6"-7.25" (Part. No 66735)		

*Product capacity based on 12 oz. long neck bottles (Refrigerator), 3" diameter glass size (Freezer) and 750 ml. wine bottles (Wine Reserve)

NOTE: This equipment is intended for the storage and display of non-potentially hazardous bottled or canned products only!

HC24FS Chiller automatically defrosts every 4 hours not meant for food storage.

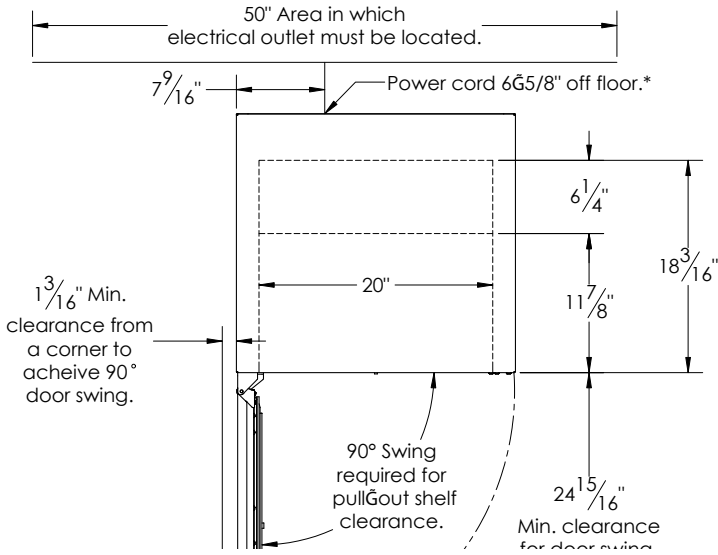
California Prop 65 Notice:

WARNING: The materials used in this product may contain chemicals known to the State of California to cause cancer and birth defects or other reproductive harm, For more information go to www.P65Warnings.ca.gov.

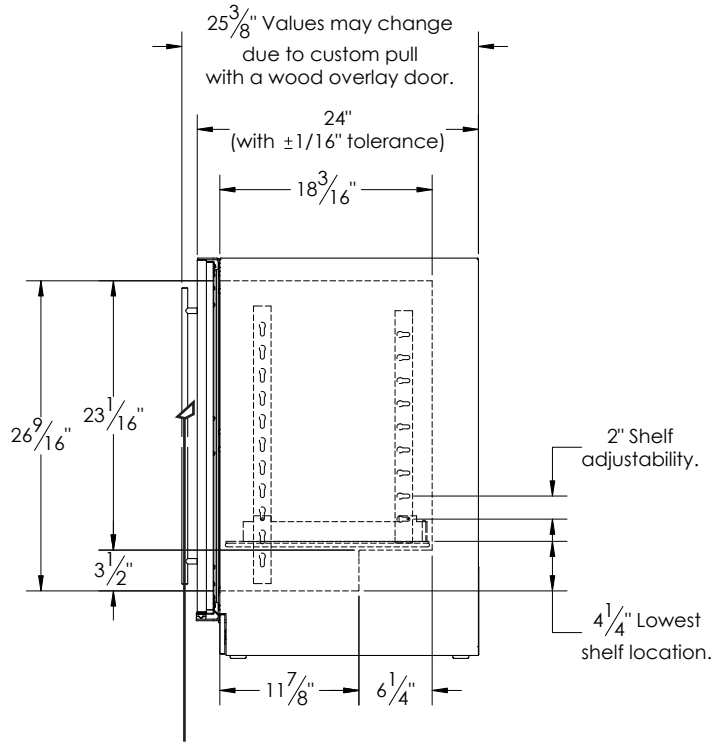
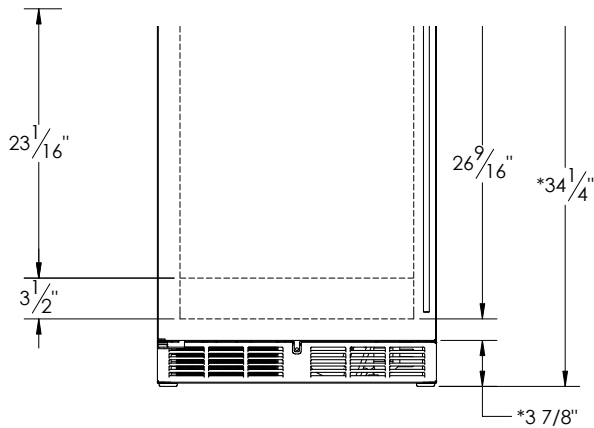
Form No. Z2365_HC24
Rev. 04.22.21



24" SINGLE DOOR C-SERIES
 Refrigerator/Chiller/Wine Reserve/Beverage Dispenser



* \bar{G} Leg leveler can add 3/4" to these dimensions when fully extended.



California Prop 65 Notice:

WARNING: The materials used in this product may contain chemicals known to the State of California to cause cancer and birth defects or other reproductive harm. For more information go to www.P65Warnings.ca.gov.

Form No. Z2365_HC24
 Rev. 04.22.21