

BUNN®

1 Gallon Dual Soft Heat® DBC® Low Profile Brewer

FOR GENERAL REFERENCE ONLY

Models shown may not match the model features or manuf year of the item offered by AERE.



Features

1 Gallon Low Profile Digital Brewing System

- Brews up to 19.3 gallons (73.1 litres) of perfect coffee per hour.
- Brews ½, or 1 gallon (1.9 or 3.8 litre) batches.
- Stores individual coffee and flavor profiles using adjustable water volume, bypass percentage, pulse brew, and pre-infusion timing.
- Operate any combination of BrewWISE® equipment error-free with wireless brewer-grinder interface via optional Smart Funnel®.
- No hot surfaces in coffee holding area.
- Reduce accidents with safety features that decrease hot splashes from funnel, eliminate brewing when funnel or server is not present.
- Troubleshoot all switches and electrical components from the front panel with advanced diagnostic service tools.
- Simplify installation and calibration by creating your own recipe cards and dedicated funnels with the BrewWISE Recipe Writer using your PC (Windows® compatible).

1 Gallon Dual SH DBC - Low Profile

with 1 gallon SH Servers
(servers and drip tray sold separately)
Dimensions: 32.0 H x 18" W x 21.2" D
(81.3cm H x 45.7cm W x 53.8cm D)

For current specification sheets and other information, go to www.bunn.com.

Related Products

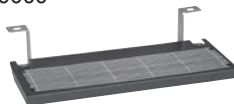
Easy Clear® EQHP-10L
Product No. : 39000.0001



Easy Clear® EQHP-10
Replacement Cartridge
Product No. : 39000.1001



Dual Drip Tray
Product No.: 27150.0000



1 Gallon SH Server Low Profile
Product No. : 27850.0046



SST Smart Funnel®
Product No. : 32643.0000



1 SH Stand
Product No. : 27825.0000



2 SH Stand
Product No. : 27875.0000



Model

Dual SH DBC, Low Profile

Agency Listing



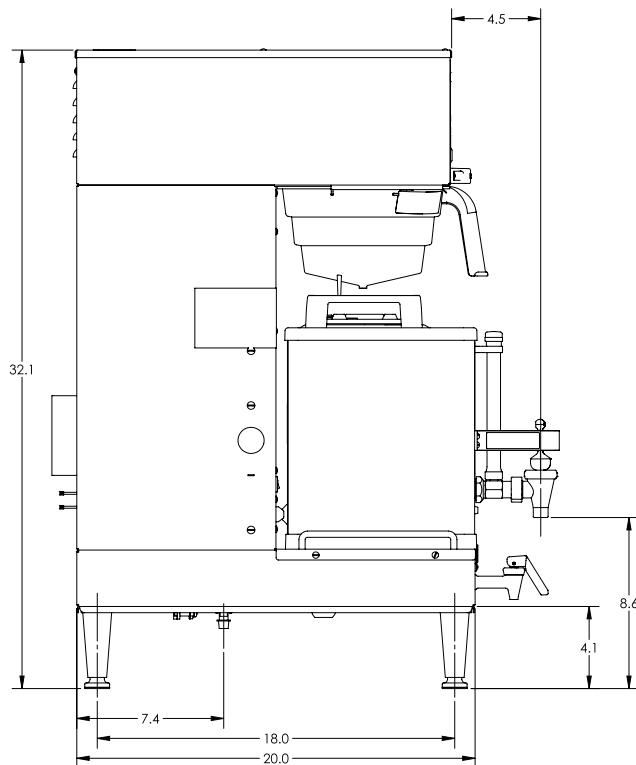
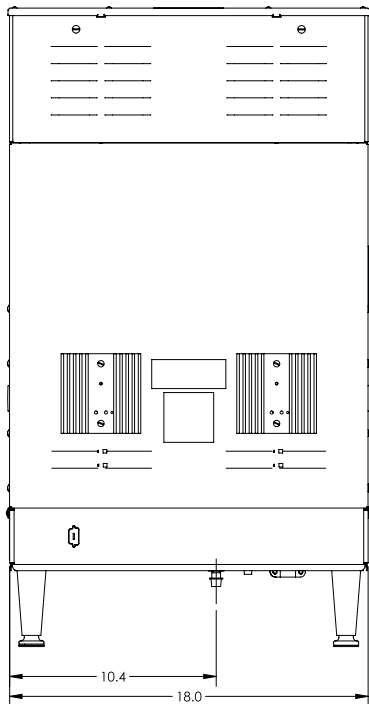
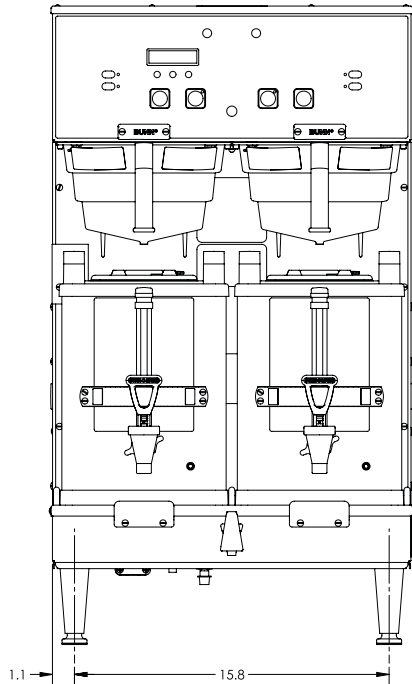
Dimensions & Specifications

Model	Product #	Volts	Amps	Total Watts	Brewing Capacity	Cu. Ft.	Shipping Weight	Net Weight	Ready-to-use Weight	Cord Attached
Dual SH DBC	33500.0046	120/208-240	23.9-29.1	4980-6800	14.5-19.3 gal/hr	13	98 lbs.	94 lbs.	164 lbs.	No

Note: Soft Heat® Brewers and Servers are boxed and shipped separately.

Electrical: Brewer is 3-wires plus ground service rated at 120/208V-240V, single phase 60 Hz.

Plumbing: 20-90 psi (69-621 kPa). Machine supplied with 1/4" (6.4 mm) male fitting.



Bunn-O-Matic® Corporation - 1400 Stevenson Drive Springfield, Illinois 62703 • 800-637-8606 • 217-529-6601 • Fax 217-529-6644 • www.bunn.com

BUNN® practices continuous product research and improvement. We reserve the right to change specifications and product design without notice. Such revisions do not entitle the buyer to corresponding changes, improvements, additions or replacements for previously purchased equipment.

All dimensions shown in inches.

6/13 © Bunn-O-Matic Corporation